

EVACUATION SLYDE®

ENGLISH

SLYDE® EVACUATION SLED OPERATION MANUAL

(SLYDE STANDARD MODEL #IC5010, SLYDE BARIATRIC MODEL #IC5020)



For parts or technical assistance
contact: info@dqeready.com

OPERATION MANUAL

TABLE OF CONTENTS

ENGLISH

Symbols and Definitions	2
Introduction	2
Intended Use	2
Specifications	3
Product Inspection	4
Assembly & Occupant Securing Instructions	4
Transporting An Occupant Using Slyde	5
Descending Stairs Using Evacuation Slyde	6
Descending Stairs Using Bariatric Evacuation Slyde	6
Belay Operator Configuration	6
Additional Parts and Accessories List	7

SYMBOLS AND DEFINITIONS

The words **WARNING**, **CAUTION** and **NOTE** carry special meanings and should be carefully reviewed.



Safe Working Load



Single Use



WARNING

Alerts the reader about a situation, which if not avoided, could result in death or serious injury. It may also describe potential serious adverse reactions and safety hazards.



CAUTION

Alerts the reader of a potentially hazardous situation, which if not avoided, may result in minor or moderate injury to the user or occupant or damage to the equipment or other property. This includes special care necessary for the safe and effective use of the device and the care necessary to avoid damage to a device that may occur as a result of use or misuse.

NOTE

This provides special information to make maintenance easier or important instructions clearer.

INTRODUCTION

This manual will assist you with the operation and maintenance of Evacuation Slyde (Standard and Bariatric). Thoroughly read this manual before using the equipment or beginning maintenance. Your staff should be trained on safe operation with written procedures.

INTENDED USE

The Slyde is an emergency sled for safely evacuating non-ambulatory residents or patients [occupants] weighing up to 500 lb (227 kg) using the Standard Evacuation Slyde or 800 lb (363 kg) using the Bariatric Evacuation Slyde from any multi-floor building using the stairway.



WARNING

- Do not modify the Slyde. Modifying the equipment can cause unpredictable operation resulting in injury to the occupant or operator. Modifying the Slyde will also void its warranty.
- Slyde is not designed for use with suspected or known cervical, spinal, or fracture injuries unless the Slyde is used with proper cervical spinal precautions, for example backboard, C-collar, and appropriate strapping.
- **Slyde is for use in one (1) evacuation incident.**



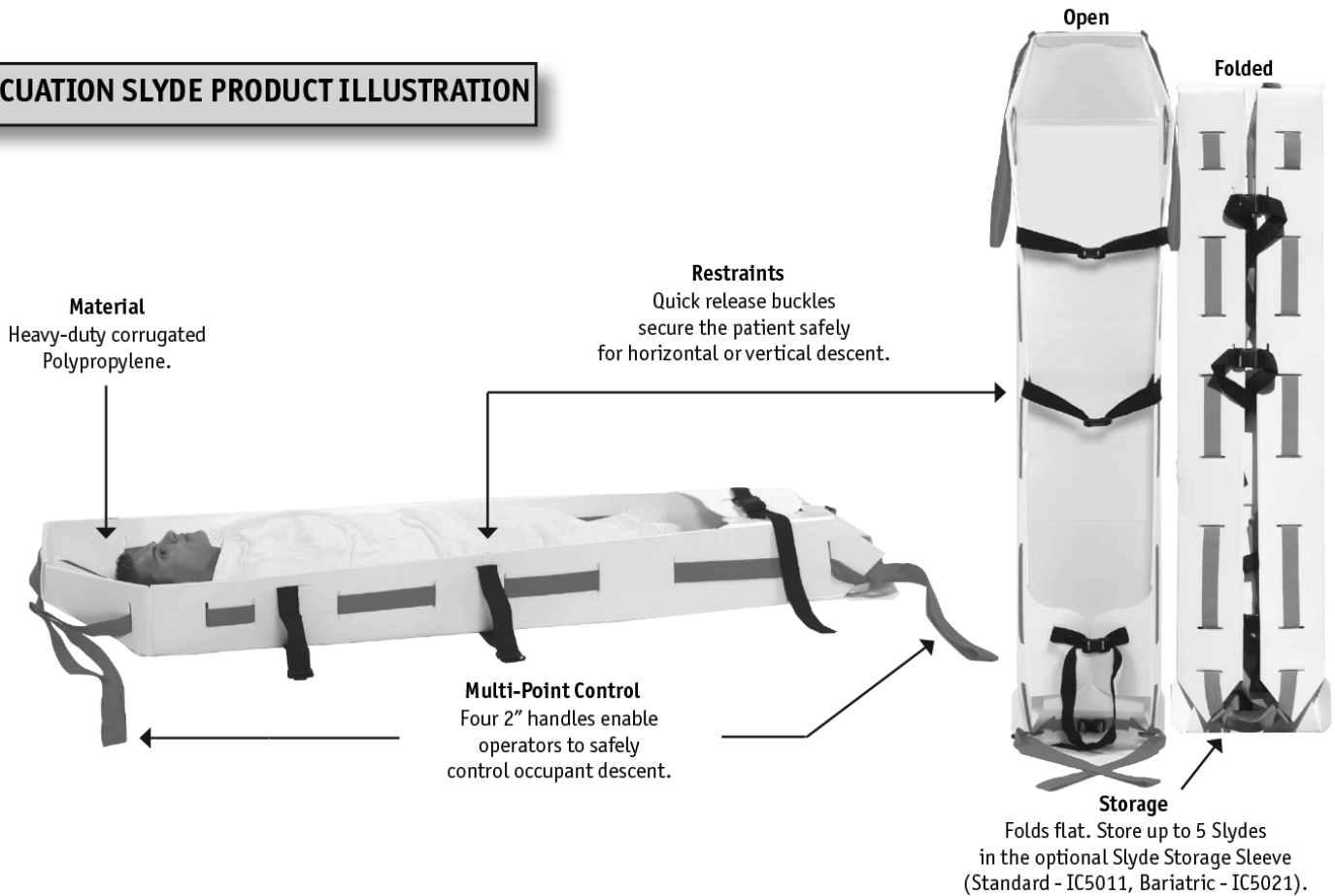
CAUTION

Read the manual carefully before using the unit. Always follow correct operation procedures as outlined in this manual. Keep this manual on file at all times for reference.

- Do not store Slyde device or stairwell belay system in direct sunlight or in a moist environment.
- Keep Slyde and equipment out of direct contact with flames.
- Slyde must be stored where the temperature range is between 50 to 95 degrees Fahrenheit (10 to 35 degrees Celsius).

INTRODUCTION CONTINUED

EVACUATION SLYDE PRODUCT ILLUSTRATION



ENGLISH

SPECIFICATIONS

EVACUATION SLYDE		Evacuation Slide - Standard (IC5010)	Evacuation Slide - Bariatric (IC5020)	Slyde Stairwell Belay System (IC5030) *Sold Separately
	Safe Working Load	500 lb (227 kg)	800 lb (363 kg)	5,000 lb (2,267 kg)
	Height	8" (20.3 cm)	8" (20.3 cm)	
	Width	19" (48.3 cm)	24" (61 cm)	
	Length	85" (215.9 cm)	85" (215.9 cm)	Rope - 30' (9.1 m)
	Folded Height	2" (5.1 cm)	2" (5.1 cm)	
	Weight	9 lb (4.1 kg)	11 lb (5 kg)	3 lb (1.4 kg)

OPERATION MANUAL

PRODUCT INSPECTION

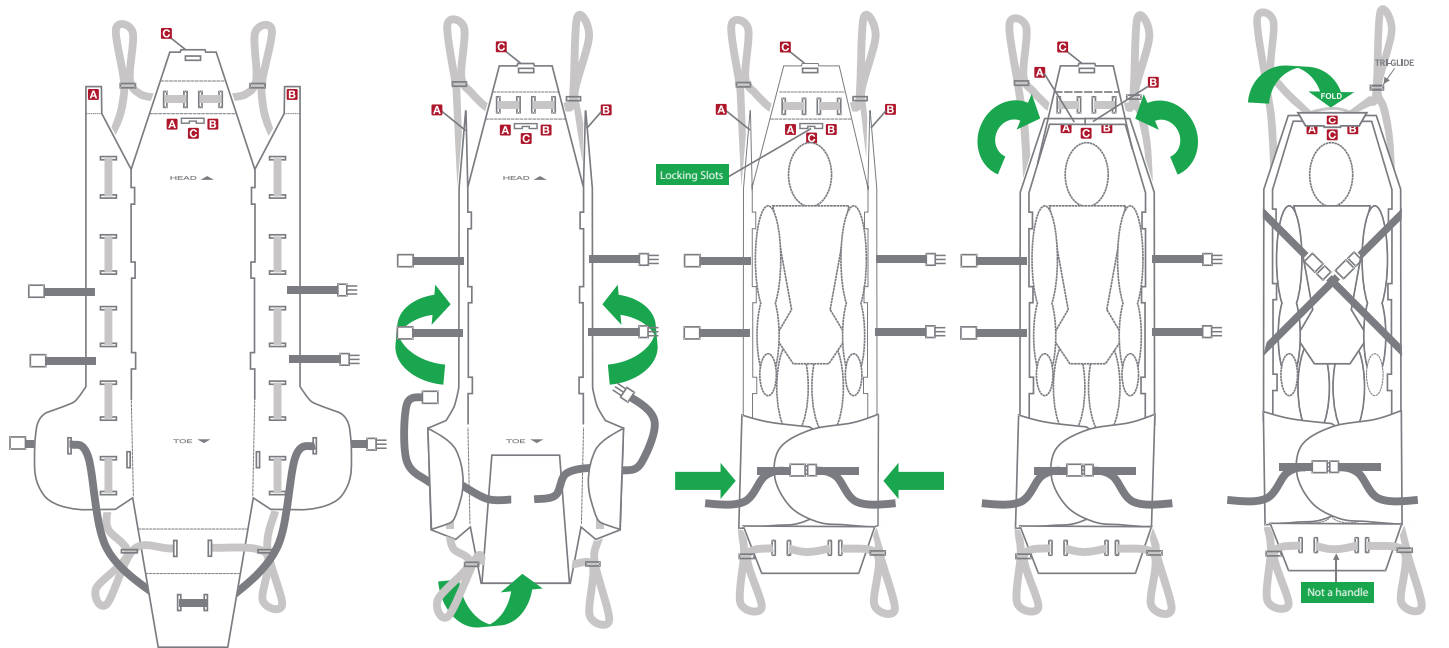
The condition of the Slyde is the responsibility of the owner. It is important that the Slyde is working properly before the product is put into service. Have a qualified person use the following list and the operating instructions to check the Slyde before the product is put into service.

ENGLISH

- _____ Unpack the cartons and check all items for proper operation.
- _____ Inspect Slyde and accessories thoroughly upon receipt for any damage that may have occurred during shipping and to ensure proper operation.
- _____ Inspect Slyde and accessories before each use for wear, fraying, or other damage.

ASSEMBLY & OCCUPANT SECURING INSTRUCTIONS

These instructions are printed on the inside of each Evacuation Slyde.



1. Place Evacuation Slyde flat on the floor or ground. Unclip black straps and unfold Slyde as shown.

2. Fold sidewalls up to be vertical and fold the foot panel up over itself.

3. Capture the foot panel by folding over the extended sidewall panels near the feet. Secure the foot assembly by clipping the strap and adjusting it to be snug.

4. Form the head panel by folding the side wall extensions toward each other. The "A" and "B" tabs should align and index into the "A" and "B" slots.

5. Capture the folded and indexed "A" and "B" side wall extensions by folding the bottom "C" flap up and cover them. Lock the "C" tab by pushing it through the "C" locking slot. Secure the occupant and evacuate.

**FOR TRAINED
PROFESSIONAL
USE ONLY**

WEIGHT CAPACITY

EVACUATION SLYDE - STANDARD (IC5010)



500 lb (227 KG)

EVACUATION SLYDE - BARIATRIC (IC5020)



800 lb (363 KG)

INTENDED USE: Slyde is an emergency sled for safely evacuating non-ambulatory residents or patients [occupant] from any multi-floor building.

STORAGE: Store Slyde in a dry, sunlight free environment 50° - 95°F.



CAUTION: Improper usage of the Evacuation Slyde or any accessory can cause injury to the occupant or the operator. Operate the Evacuation Slyde and accessories as described in the operation manual.

Covered by one or more of the following patents: US 7,422,220 B2; US 7,699,324 B2; EP 2,057,057 B8; CA2654308

TRANSPORTING AN OCCUPANT USING SLYDE

These instructions outline the proper techniques for safely securing and transporting an occupant using the Slyde.

WARNING

- Do not operate Slyde, Stairwell Belay System, Stairwell Belay Box or other accessories without proper training.
- Do not exceed the 500 lb (227 kg) weight capacity of Evacuation Slyde or the 800 lb (363 kg) weight capacity of Bariatric Evacuation Slyde.
- Do not use Slyde if any bodily fluids are present. Inspect Slyde for fluids prior to use. Do not attempt to clean; dispose of equipment if fluids are present.
- Inspect Slyde and stairwell belay equipment at least annually and before each use for wear, fraying or other damage. If device or equipment is damaged, discontinue use.
- Slyde is not designed for use with suspected or known cervical, spinal, or fracture injuries unless the Slyde is used with proper cervical spinal precautions, for example backboard, C-collar, and appropriate strapping.
- To reduce the risk of injury to the occupant and/or operator, operators should never attempt to transport an occupant load greater than what they can safely lift.
- Water, ice, and debris on the stairs can affect operator footing and proper operation of Slyde. To reduce the risk of injury, clear path or consider an alternate route.
- Post evacuation, make sure that the patient is stable on a level surface.

NOTE (OCCUPANT IN BED)

- If the occupant is currently in bed, place the bed in its lowest position, and lock the bed wheels, if applicable.
- Wrap the bed sheets around the occupant from both sides. Include pillows or blankets for the occupant's head and feet to provide additional occupant comfort.

TRANSFER THE OCCUPANT TO SLYDE

1. Unfold Slyde. **[Illustration #1 on page 4]**
2. Log roll the occupant onto their side.
3. Place Slyde underneath the backside of the occupant.
4. Roll the occupant onto Slyde and place them in the middle of Slyde.
5. Fold sidewalls up. **[Illustration #2 on page 4]**
6. Construct the foot end and then head ends as shown. **[See assembly instructions on page 4]**
7. Fasten and tighten the safety straps. **[Illustration #5 on page 4]**

WARNING

- The safety straps should be fastened diagonally, where possible, to prevent strangulation of shorter occupant **[Illustration #5 of assembly instructions on page 4]**.
- Always use all restraint straps to secure the occupant to Slyde. An unrestrained occupant may fall from Slyde and be injured.
- The occupant must be secured on Slyde before transferring Slyde from the bed to the floor.

NOTE (OCCUPANT IN BED)

- Pull the foot end of the mattress to the floor to create a ramp.
- While the operator keeps their back in a neutral, ergonomic upright position, slide the Evacuation Slyde down the mattress to the floor.
- If the mattress is attached to the bed frame, use the Slyde side handles to ease the occupant to the floor by lowering the foot end first followed by the head end.

PULL SLYDE WITH OCCUPANT TO THE NEAREST EMERGENCY EXIT

- Two operators may pull from the foot end by using the two handles as shown **[Fig. 1]**.



Figure 1

OPERATION MANUAL

DESCENDING STAIRS USING THE STANDARD EVACUATION SLYDE

WARNING

- To reduce the risk of injury, transporting the occupant on stairs requires a minimum of two operators, one at the head and one at the foot of the Slyde. If more people are required to safely control the Slyde, position operators around the edge of the Slyde using the green strap handholds.
- At least two trained operators are required when using the Stairwell Belay System. More operators may be necessary depending on an occupant's size. See page 7 as a reference for properly positioning operators.

TWO PERSON DESCENT

1. The foot end operator and the head end operator grasp both handles firmly. One operator grasps both green strap handles at the head end. The other operator grasps both green strap handles at the foot end.
2. The foot end operator pulls Slyde three quarters of the way off of the first stair.
3. The head end operator leans back to support the occupant's weight.
4. Descend the stairs at a controlled speed. Stay toward the inside rail of the stairs to allow for an easier turn on the landing.
5. Begin turn once Slyde is halfway on the landing. Reference the occupant's hip as a pivot point.
6. Repeat the process on the next set of stairs.

THREE PERSON DESCENT

1. Similar to the two-person descent, except that the two head end operators each take one green strap handle.

DESCENDING STAIRS USING THE BARIATRIC EVACUATION SLYDE

WARNING

- The Stairwell Belay System (IC5030) (*sold separately*) must be used when transporting bariatric patients 500 - 800 lb (227-363 kg).

To reduce the risk of injury when transporting bariatric occupants 500-800 lb (227-363 kg), strict observance of all precautions and safety procedures is necessary. DQE recommends the following equipment and manpower configurations for safe transport.

WARNING

- To reduce the risk of occupant or operator injury, the minimum number of operators listed in the table below must be used.
- To reduce the risk of injury to the occupant and/or operator, operators should never attempt to transport occupant loads greater than what they can safely lift.

BELAY OPERATOR CONFIGURATION

WARNING

See the table to the right for minimum number of operators for equipment and the occupant combined weight.

Equipment & Occupant Combined Weight	Minimum Number of Operators
< 500 lb < 227 kg	2
500 - 600 lb 227 - 272 kg	5
600 - 800 lb 272 - 336 kg	7

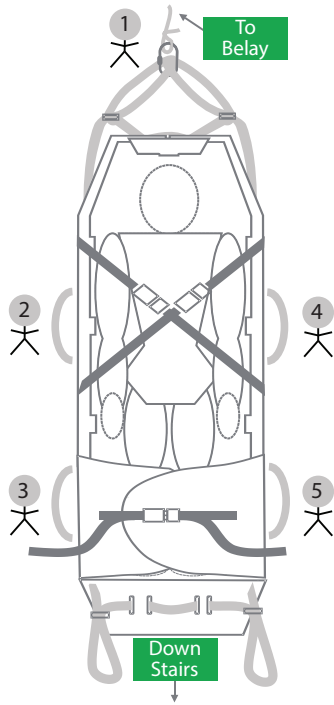
BELAY OPERATOR CONFIGURATION CONTINUED

NOTE

The figures around the perimeter of the Bariatric Evacuation Sledge indicate the number of operators and positions required during bariatric patient transport.

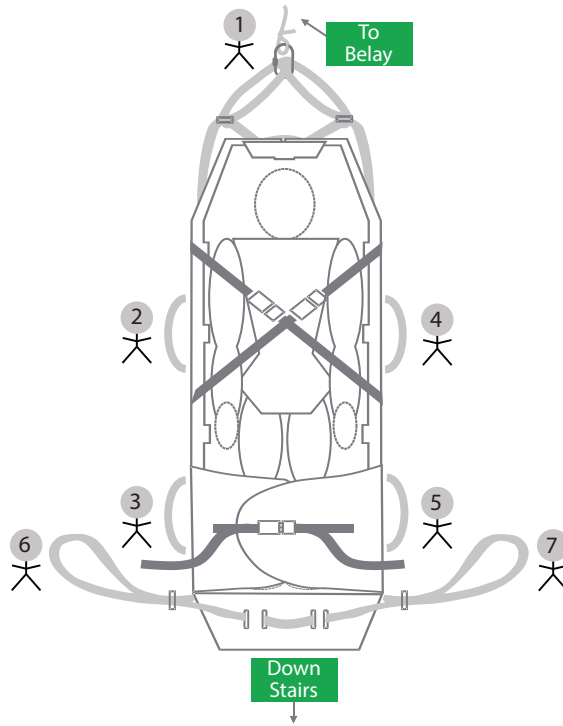
500 LB - 600 LB

227 KG - 272 KG



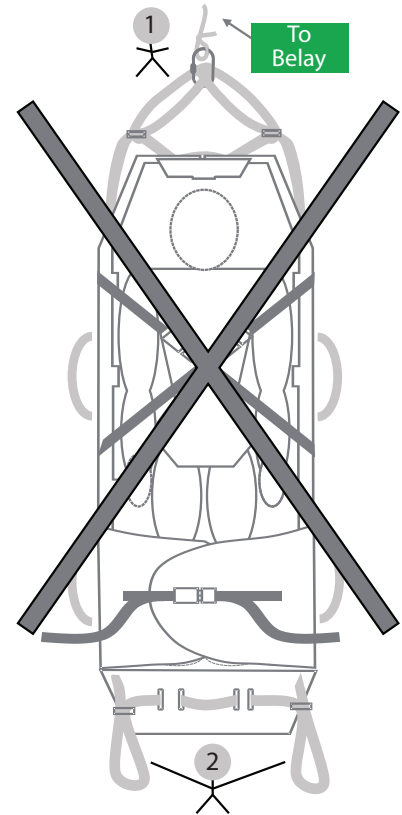
600 LB - 800 LB

272 KG - 363 KG



⚠ WARNING
INSUFFICIENT MANPOWER FOR OCCUPANTS WEIGHING 500 - 800 LB.

Could cause injury or death to the occupant or operator.



ENGLISH

ADDITIONAL PARTS AND ACCESSORIES LIST

Part Name	Part Number
Slyde® Evacuation Sled Storage Sleeve - Standard	IC5011
Slyde® Evacuation Sled Storage Sleeve - Bariatric	IC5021
Slyde® Stairwell Belay System	IC5030
Slyde® Stairwell Belay Storage Box	IC5031

CONTACT DQE FOR PARTS OR TECHNICAL ASSISTANCE
 800-355-4628 | info@dqeready.com

EVACUATION SLYDE®

SLYDE® EVACUATION SLED MANUAL DE INSTRUCCIONES

(SLYDE STANDARD MODEL #IC5010, SLYDE BARIATRIC MODEL #IC5020)

ESPAÑOL



Para piezas o asistencia técnica
contactanos en: info@dqeready.com

MANUAL DE INSTRUCCIONES

ÍNDICE

Símbolos y definiciones	2
Introducción	2
Uso previsto	2
Especificaciones	3
Inspección del producto	4
Instrucciones de montaje	4
Transporte de un ocupante utilizando Slyde	5
Descenso por las escaleras utilizando Evacuation Slyde	6
Descenso por las escaleras utilizando Bariatric Evacuation Slyde	6
Configuración de operadores	6
Lista de piezas y accesorios adicionales	7

ESPAÑOL

SÍMBOLOS Y DEFINICIONES

Las palabras **ADVERTENCIA**, **PRECAUCIÓN** y **NOTA** tienen significados especiales y deberían recibir particular atención.



Carga de trabajo segura



Un solo uso

ADVERTENCIA Alerta al lector acerca de una situación que, de no evitarse, podría conllevar la muerte o lesiones graves. También puede describir reacciones adversas y riesgos de seguridad potencialmente graves.

PRECAUCIÓN Alerta al lector acerca de una situación potencialmente peligrosa que, de no evitarse, podría conllevar lesiones leves o moderadas para el usuario o para el ocupante o daños en el equipo u otros bienes. Esto comprende los cuidados especiales necesarios para el uso seguro y eficaz del dispositivo y los cuidados necesarios para evitar daños en el dispositivo como resultado de un uso normal o indebido.

NOTA Aporta información especial para facilitar las tareas de mantenimiento o para esclarecer instrucciones importantes.

INTRODUCCIÓN

Este manual le asistirá en el uso y mantenimiento de Evacuation Slyde y Bariatric Evacuation Slyde. Lea este manual detenidamente antes de utilizar el equipo y antes de realizar cualquier tarea de mantenimiento. Sus empleados deberían recibir formación sobre un uso seguro mediante procedimientos escritos.

USO PREVISTO

Slyde es un deslizador de emergencia que sirve para evacuar de forma segura a pacientes o internados no ambulatorios (ocupantes) que pesen hasta un máximo de 227kg (500lb) utilizando Evacuation Slyde, o 363kg (800lb) utilizando Bariatric Evacuation Slyde, desde cualquier edificio de varias plantas a través de las escaleras.

ADVERTENCIA

- No modifique Slyde. Las modificaciones del equipo pueden provocar un funcionamiento impredecible, lo que podría conllevar lesiones para el ocupante o el operador. Las modificaciones de Slyde también anularán la garantía.
- Slyde no ha sido diseñado para ser utilizado con pacientes que presenten lesiones o fracturas cervicales o espinales confirmadas o sospechadas, a menos que Slyde se utilice en combinación con protecciones cervicoespinales adecuadas, como camillas rígidas, collares cervicales y correas de sujeción apropiadas.
- Slyde ha sido diseñado para ser utilizado en un (1) incidente de evacuación.**

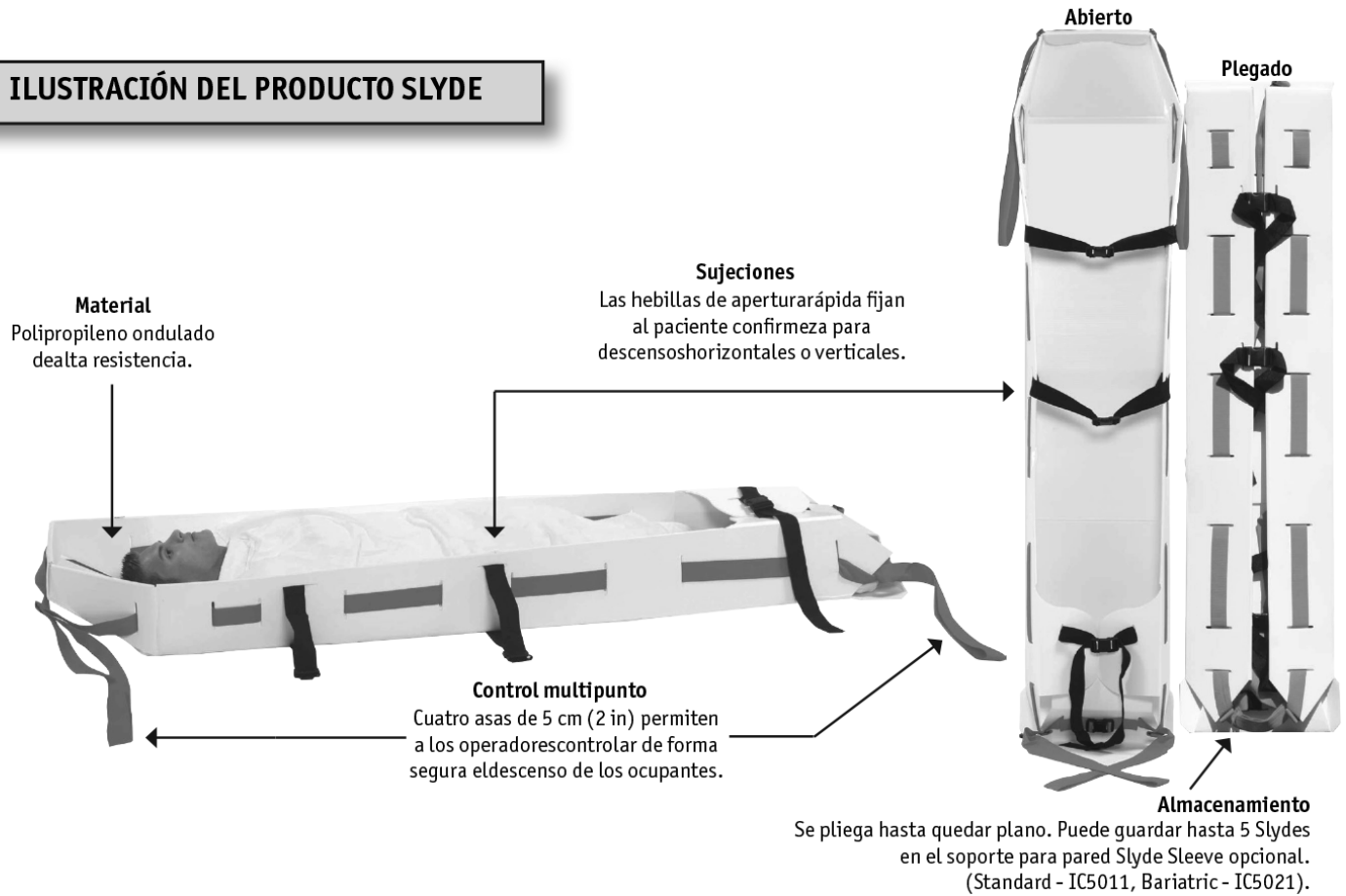
PRECAUCIÓN

Lea el manual detenidamente antes de utilizar la unidad. Siga siempre los procedimientos de uso adecuados descritos en este manual. Conserve este manual en todo momento como referencia.

- No guarde Slyde ni Stairwell Belay System bajo la luz directa del sol ni en lugares húmedos. Mantenga Slyde y el equipo protegido del contacto directo con llamas.
- Slyde se debe guardar en ambientes con una temperatura de entre 10 y 35 grados centígrados (50 y 95 grados Fahrenheit).


INTRODUCCIÓN (CONTINUACIÓN)

ILUSTRACIÓN DEL PRODUCTO SLYDE



ESPAÑOL

ESPECIFICACIONES

EVACUATION SLYDE	Evacuation Slyde - Standard (IC5010)	Evacuation Slyde - Bariatric (IC5020)	Slyde Stairwell Belay System (IC5030) <small>* Se vende por separado</small>
 Carga de trabajo segura	227 kg (500 lb)	363 kg (800 lb)	2,267 kg (5,000 lb)
Alto	20,3 cm (8 in)	20,3 cm (8 in)	
Ancho	48,3 cm (19 in)	61 cm (24 in)	
Largo	215,9 cm (85 in)	215,9 cm (85 in)	Cuerda: 9,1m (30 ft)
Alto plegado	5,1 cm (2 in)	5,1 cm (2 in)	
Peso	4,1 kg (9 lb)	5 kg (11 lb)	1,4 kg (3 lb)

MANUAL DE INSTRUCCIONES

INSPECCIÓN DEL PRODUCTO

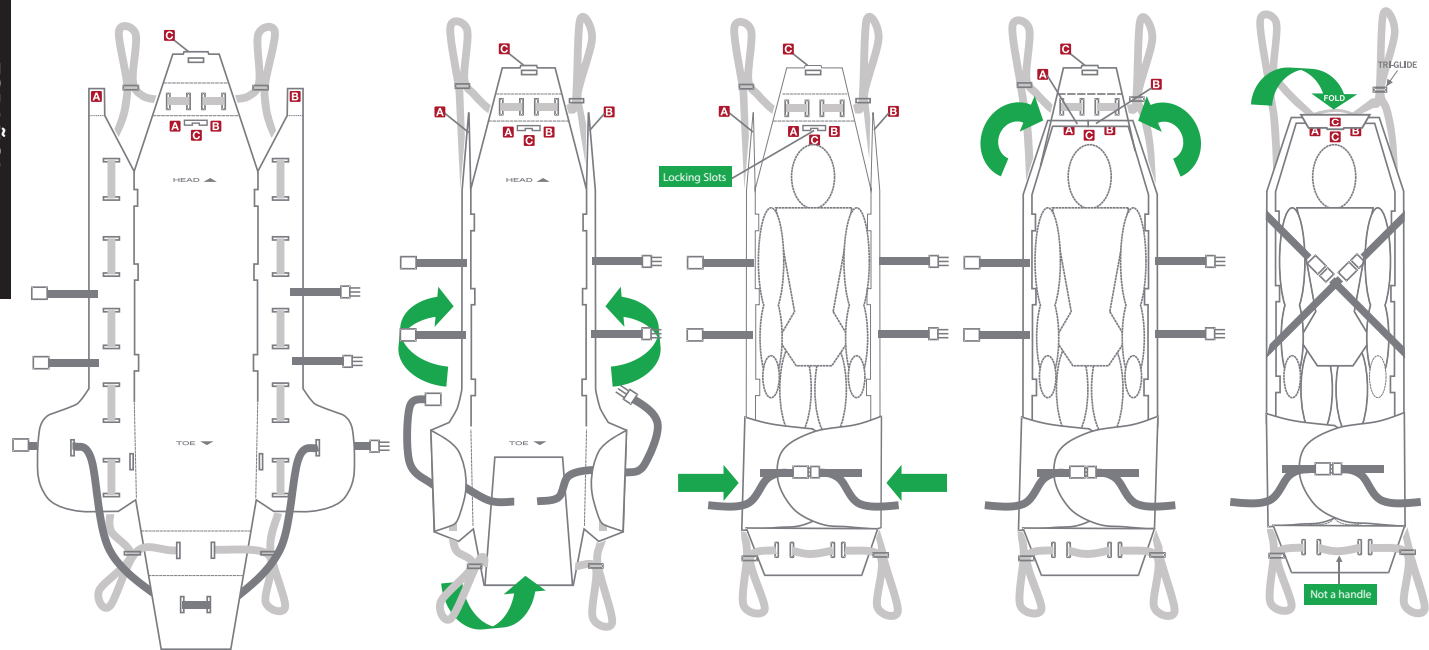
El estado de Slyde es responsabilidad del propietario. Es importante que Slyde funcione correctamente antes de hacer uso del producto. Solicite a una persona cualificada que utilice la siguiente lista y las instrucciones de uso para comprobar Slyde antes de hacer uso del producto.

- Abra el embalaje y compruebe que todos los elementos funcionen correctamente.
- Inspeccione a fondo Slyde y sus accesorios en el momento de la entrega en busca de daños que se puedan haber producido durante el transporte y para asegurarse de que funcionen correctamente.
- Inspeccione Slyde y sus accesorios antes de cada uso en busca de signos de desgaste, deterioro u otros daños.

INSTRUCCIONES DE MONTAJE

Instrucciones de montaje Estas instrucciones están impresas en el interior de cada Evacuation Slyde y Bariatric Evacuation Slyde.

ESPAÑOL



1. Coloque Evacuation Slyde plano sobre el suelo. Desenganche las correas negras y despliegue Slyde como se muestra.

2. Doble las paredes laterales hacia arriba hasta que queden verticales y pliegue el peldaño arriba sobre sí mismo.

3. Capture el panel para los pies doblando las extensiones de las paredes laterales cerca de los pies. Fije el conjunto para los pies abrochando la correa y ajuste que sea apretado.

4. Forme el panel para la cabeza doblando las extensiones de las paredes laterales hacia el interior. Las pestañas "A" y "B" deberán quedar alineadas y encajar en las ranuras "A" y "B".

5. Asegurar la plegada e indexado "A" y "B" la pared lateral extensiones por plegado de la parte inferior "C" con la solapa hacia arriba y cubrir las. Bloquear el "C" ficha empujándolo a través de la ranura de bloqueo de "C". Asegurar el ocupante y evacuar.

SOLO PARA USO POR PARTE DE PROFESIONALES FORMADOS

WEIGHT CAPACITY

EVACUATION SLYDE - STANDARD (IC5010)



227 kg (500 lb)

EVACUATION SLYDE - BARIATRIC (IC5020)



363 kg (800 lb)

USO Previsto: Slyde es un deslizador de emergencia que sirve para evacuar de forma segura a pacientes o internados no ambulatorios (ocupantes) desde cualquier edificio de varias plantas a través de las escaleras.

ALMACENAMIENTO: Guarde Slyde en un ambiente seco, protegido de la luz de sol y con una temperatura de entre 10 y 35 °C (50 y 95 °F).



PRECAUCIÓN: El uso indebido de Evacuation Slyde o de cualquiera de sus accesorios puede provocar lesiones al ocupante o al operador. Utilice Evacuation Slyde y sus accesorios tal y como se describe en este manual de instrucciones.

Cubiertos por una o más de las siguientes patentes: US 7,422,220 B2; US 7,699,324 B2; EP 2,057,057 B8; CA2654308

TRANSPORTE DE UN OCUPANTE UTILIZANDO SLYDE

Estas instrucciones describen las técnicas adecuadas para fijar y transportar de forma segura a un ocupante utilizando Slyde.

⚠ ADVERTENCIA

- No utilice Slyde, Stairwell Belay System, Stairwell Belay Box u otros accesorios sin haber recibido la formación adecuada.
- No supere la capacidad de 227 kg (500 lb) de peso de Evacuation Slyde ni la capacidad de 363 kg (800 lb) de peso de Bariatric Evacuation Slyde.
- No utilice Slyde en presencia de fluidos corporales. Inspeccione Slyde antes de su uso para asegurarse de que no haya fluidos. Si hay fluidos, no intente limpiar el equipo y deséchelo.
- Inspeccione Slyde y Stairwell Belay Box al menos una vez al año y antes de cada uso en busca de signos de desgaste, deterioro u otros daños. Si el dispositivo o el equipo presentan daños, interrumpa su uso.
- Slyde no ha sido diseñado para ser utilizado con pacientes que presenten lesiones o fracturas cervicales o espinales confirmadas o sospechadas, a menos que Slyde se utilice en combinación con protecciones cervicoespinales adecuadas, como camillas rígidas, collares cervicales y correas de sujeción apropiadas.
- Para reducir el riesgo de lesiones para el ocupante y el operador, los operadores no deberían intentar transportar nunca a ocupantes de un peso superior al que puedan elevar de forma segura.
- La presencia de agua, hielo y escombros en las escaleras puede comprometer el equilibrio del operador y el correcto uso de Slyde. Para reducir el riesgo de lesiones, despeje el paso o considere una ruta alternativa.
- Tras la evacuación, asegúrese de que el paciente esté estable sobre una superficie plana.

NOTA (OCUPANTES EN CAMA)

- Si el ocupante está en cama, coloque la cama en su posición más baja y bloquee las ruedas de la cama, si es posible.
- Envuelva al ocupante con las sábanas de la cama por ambos lados. Utilice las almohadas o mantas para acomodar los pies y la cabeza del ocupante.

TRASLADO DEL OCUPANTE A SLYDE

1. Desdoble Slyde.
2. Coloque al ocupante sobre un costado.
3. Coloque Slyde bajo la espalda del ocupante.
4. Gire al ocupante para que quede tumbado sobre Slyde y coloque al ocupante en el centro de Slyde.
5. Construya los paneles para la cabeza y para los pies tal y como se muestra en las instrucciones de montaje de la página 5.
6. Abroche y ajuste las correas de seguridad.

⚠ ADVERTENCIA

- Siempre que sea posible, las correas de seguridad se deberían abrochar en diagonal para impedir el estrangulamiento de los ocupantes de menor estatura (Imagen 5 de las instrucciones de montaje).
- Utilice siempre todas las correas de sujeción para fijar al ocupante en Slyde. De no fijar bien al ocupante, este podría caerse de Slyde y sufrir lesiones.
- El ocupante debe estar fijado a Slyde antes de desplazar Slyde de la cama al suelo.

NOTA (OCUPANTES EN CAMA)

- Tire de los pies del colchón hasta el suelo para crear una rampa.
- Manteniendo la espalda en posición erguida y ergonómica, deslice Slyde por el colchón hasta el suelo.
- Si el colchón está unido al bastidor de la cama, utilice las asas laterales del dispositivo para bajar al ocupante hasta el suelo, primero por los pies y después por la cabeza.

DESPLAZAMIENTO DE SLYDE CON EL OCUPANTE HASTA LA SALIDA DE EMERGENCIA MAS CERCANA

- Dos operadores pueden tirar del extremo de los pies utilizando las dos asas, tal y como se muestra en la **Fig. 1**.



Figure 1

MANUAL DE INSTRUCCIONES

DESCENSO POR LAS ESCALERAS UTILIZANDO EVACUATION SLYDE

ADVERTENCIA

- Para reducir el riesgo de lesiones, el transporte de ocupantes por escaleras requiere un mínimo de dos operadores, uno a la cabeza y otro a los pies de Slyde. Si hacen falta más personas para controlar Slyde de forma segura, los operadores deberán colocarse alrededor del borde de Slyde y utilizar las asas.
- Stairwell Belay System requiere un mínimo de dos operadores formados. Es posible que sean necesarios más operadores en función del peso del ocupante. Consulte la página 5 como referencia para la correcta ubicación de los operadores.

DESCENSO CON DOS PERSONAS

1. El operador situado a los pies y el operador situado a la cabeza agarran ambas asas con firmeza.
2. El operador situado a los pies tira de Slyde hasta tres cuartos del primer tramo de escaleras.
3. El operador situado a la cabeza se inclina hacia atrás para sujetar el peso del ocupante.
4. Se inicia el descenso por las escaleras a una velocidad controlada. Es conveniente mantenerse en el lado interior de las escaleras para facilitar el giro en el rellano.
5. Comience a girar una vez que Slyde se encuentre a medio camino en el rellano. Tome la cadera del ocupante como referencia para el punto de giro.
6. Repita el proceso en el siguiente tramo de escaleras.

DESCENSO CON TRES PERSONAS

1. Es muy similar al descenso con dos personas, salvo que hay dos operadores a la cabeza que sujetan un asa cada uno.

DESCENSO POR LAS ESCALERAS UTILIZANDO BARIATRIC EVACUATION SLYDE

ADVERTENCIA

- Para transportar a pacientes bariátricos de 227-363 kg (500-800 lb), se debe utilizar Stairwell Belay System.

Para reducir el riesgo de lesiones durante el transporte de ocupantes bariátricos de 227-363 kg (500-800 lb), es necesario respetar estrictamente todas las precauciones y procedimientos de seguridad. Belluscura recomienda las siguientes configuraciones de equipos y personal para un transporte seguro.

ADVERTENCIA

- Para reducir el riesgo de lesiones para el ocupante y el operador, se debe emplear el número mínimo de operadores indicado en la tabla de abajo.
- Para reducir el riesgo de lesiones para el ocupante y el operador, los operadores no deberían intentar transportar nunca a ocupantes con un peso superior al que puedan elevar de forma segura.

CONFIGURACIÓN DE OPERADORES

WARNING

Consulte en la tabla de abajo el número mínimo de operadores en función del peso combinado del equipo y el ocupante.

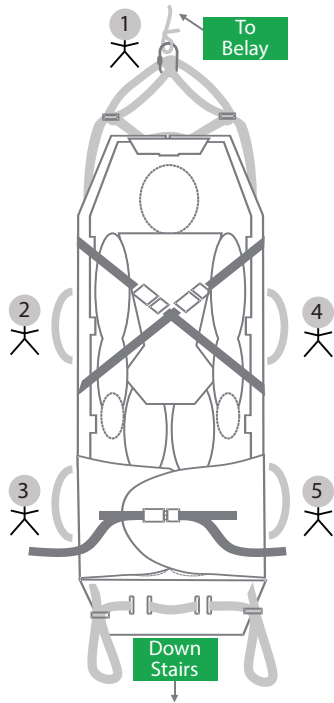
Peso combinado del equipo y el ocupante	Número mínimo de operadores
< 227 kg < 500 lb	2
227 - 272 kg (500 - 600 lb)	5
272 - 336 kg (600 - 800 lb)	7

CONFIGURACIÓN DE OPERADORES CONTINÚA

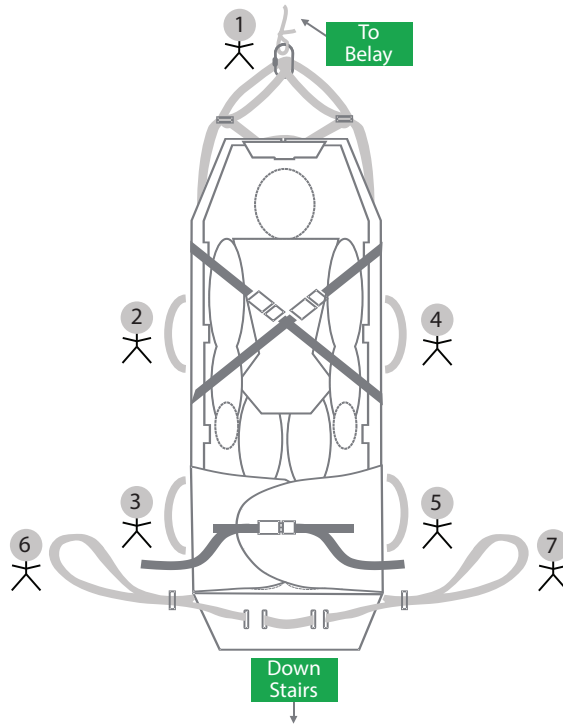
NOTA

Las cifras situados alrededor del trineo Slyde Bariátrico indican el número de operadores y las posiciones *requeridas durante el transporte de ocupantes bariátricos*.

227-272 kg
(500-600 lb)

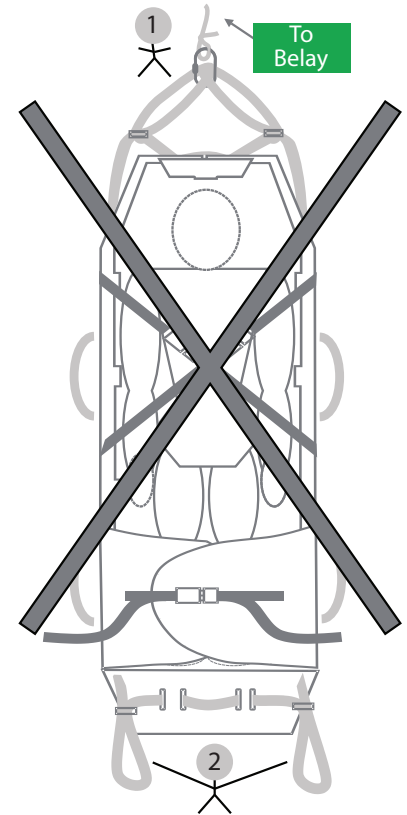


272-363 kg
(600-800 lb)



⚠ ADVERTENCIA

Personal insuficiente para pacientes de 227-363 kg (500-800 lb) de peso. Puede provocar lesiones o la muerte al ocupante o al operador.



ESPAÑOL

LISTA DE PIEZAS Y ACCESORIOS ADICIONALES

Nombre de la pieza	Número de pieza
Slyde® Evacuation Sled Storage Sleeve - Standard	IC5011
Slyde® Evacuation Sled Storage Sleeve - Bariatric	IC5021
Slyde® Stairwell Belay System	IC5030
Slyde® Stairwell Belay Storage Box	IC5031

CONTACTO DQE PARA PIEZAS O ASISTENCIA TÉCNICA
800-355-4628 | info@dqeready.com

MANUAL DE INSTRUCCIONES

TABLE DES MATIÈRES

Symboles et définitions	2
Introduction	2
Utilisation Prévue	2
Specifications Techniques	3
Inspection du produit	4
Instructions de montage	4
Traîneau Evacuation Slyde	5
Transporter une personne à l'aide du traîneau Slyde	6
Descendre un escalier à l'aide du traîneau Bariatric Evacuation Slyde	6
Liste des pièces de rechange et des accessoires	6
Configuration d'assurance de l'opérateur	7

SYMBOLES ET DÉFINITIONS

Les termes **AVERTISSEMENT**, **ATTENTION** et **NOTE** ont un sens précis et doivent être soigneusement passés en revue.



Charge maximale d'utilisation



Usage unique

AVERTISSEMENT Alerte le lecteur sur une situation qui, si elle n'est pas évitée, peut entraîner la mort ou des blessures graves. Peut également décrire des effets indésirables graves et des risques potentiels pour la sécurité.

ATTENTION Alerte le lecteur sur une situation potentiellement dangereuse qui, si elle n'est pas évitée, peut entraîner des blessures légères ou modérées pour l'utilisateur ou la personne transportée, ou endommager l'équipement ou tout autre bien. Toutes les précautions nécessaires doivent être prises pour utiliser ce dispositif de manière efficace et sans risque, et pour éviter tout dommage pouvant résulter de son utilisation ou d'une mauvaise utilisation.

NOTE Fournit des informations spécifiques destinées à faciliter la maintenance ou à clarifier des instructions importantes.

FRANÇAIS

INTRODUCTION

Ce manuel va vous guider dans l'utilisation et la maintenance du traîneau Evacuation Slyde/traîneau Bariatric Evacuation Slyde [ci-après dénommé « traîneau Slyde »]. Veuillez lire ce manuel attentivement avant toute utilisation de l'équipement ou toute opération de maintenance. Votre personnel doit être formé à l'utilisation de ce dispositif en toute sécurité à l'aide de procédures écrites.

UTILISATION PRÉVUE

Le traîneau Slyde est un traîneau d'urgence destiné à évacuer en toute sécurité d'un bâtiment à plusieurs étages des résidents ou des patients [ci-après dénommés « occupant » ou « personne à évacuer »] non ambulatoires pesant jusqu'à 227 kg (500 lb) à l'aide du traîneau Evacuation Slyde ou jusqu'à 363 kg (800 lb) à l'aide du traîneau Bariatric Evacuation Slyde en utilisant l'escalier.

AVERTISSEMENT

- Ne pas modifier le traîneau Slyde. Modifier l'équipement peut créer un dysfonctionnement pouvant entraîner des blessures pour l'occupant ou l'opérateur. En modifiant le traîneau Slyde, vous annulez automatiquement sa garantie.
- Le traîneau Slyde n'est pas conçu pour être utilisé en présence réelle ou suspectée de lésion cervicale, médullaire ou fracturaire, sauf s'il est utilisé avec les précautions cervicales et médullaires nécessaires, comme une planche dorsale, un collier cervical et un bandage de contention adapté.
- Le traîneau Slyde ne doit être utilisé que pour un (1) incident d'évacuation.

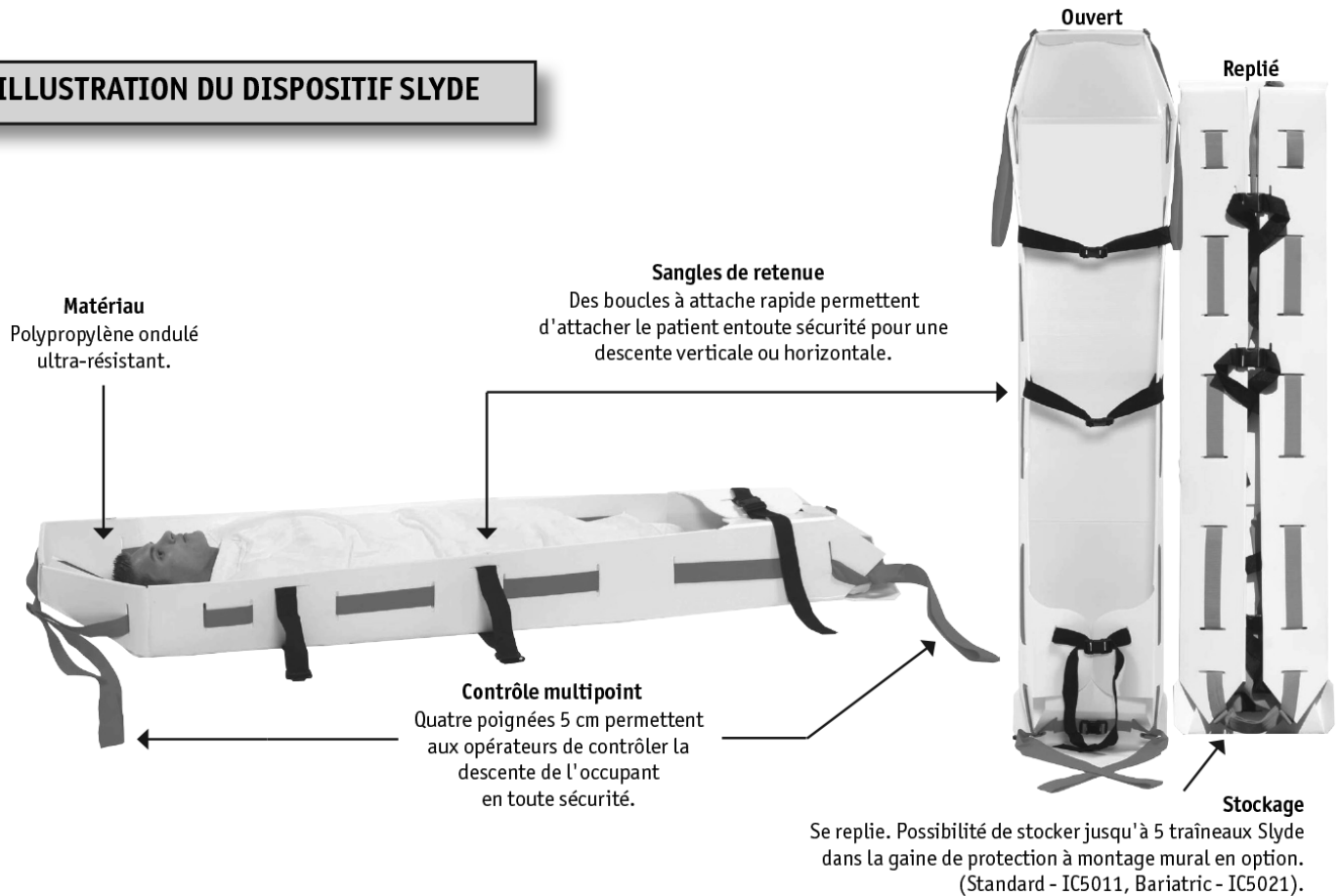
ATTENTION

Veuillez lire attentivement le manuel avant toute utilisation du dispositif. Veuillez suivre les procédures d'utilisation correctes telles qu'indiquées dans ce manuel. Conservez ce manuel à tout moment pour référence.


- Ne pas stocker le dispositif Slyde ou le système d'assurance pour cage d'escalier en l'exposant aux rayons directs du soleil ou dans un environnement humide. Conservez le traîneau Slyde et les accessoires à l'écart de tout contact direct avec des flammes.
- Le traîneau Slyde doit être stocké à une température comprise entre 10 et 35 degrés Celsius (entre 50 et 95 degrés Fahrenheit).

INTRODUCTION (SUITE)

ILLUSTRATION DU DISPOSITIF SLYDE



SPÉCIFICATIONS TECHNIQUES

EVACUATION SLYDE		Evacuation Slyde - Standard (IC5010)	Evacuation Slyde - Bariatric (IC5020)	Slyde Stairwell Belay System (IC5030) <small>*Vendu séparément.</small>
	Charge maximale d'utilisation	227 kg (500 lb)	363 kg (800 lb)	2,267 kg (5,000 lb)
	Hauteur	20,3 cm (8 in)	20,3 cm (8 in)	
	Largeur	48,3 cm (19 in)	61 cm (24 in)	
	Longueur	215,9 cm (85 in)	215,9 cm (85 in)	Cuerda: 9,1m (30 ft)
	Hauteur replié	5,1 cm (2 in)	5,1 cm (2 in)	
	Poids	4,1 kg (9 lb)	5 kg (11 lb)	1,4 kg (3 lb)

MANUAL DE INSTRUCCIONES

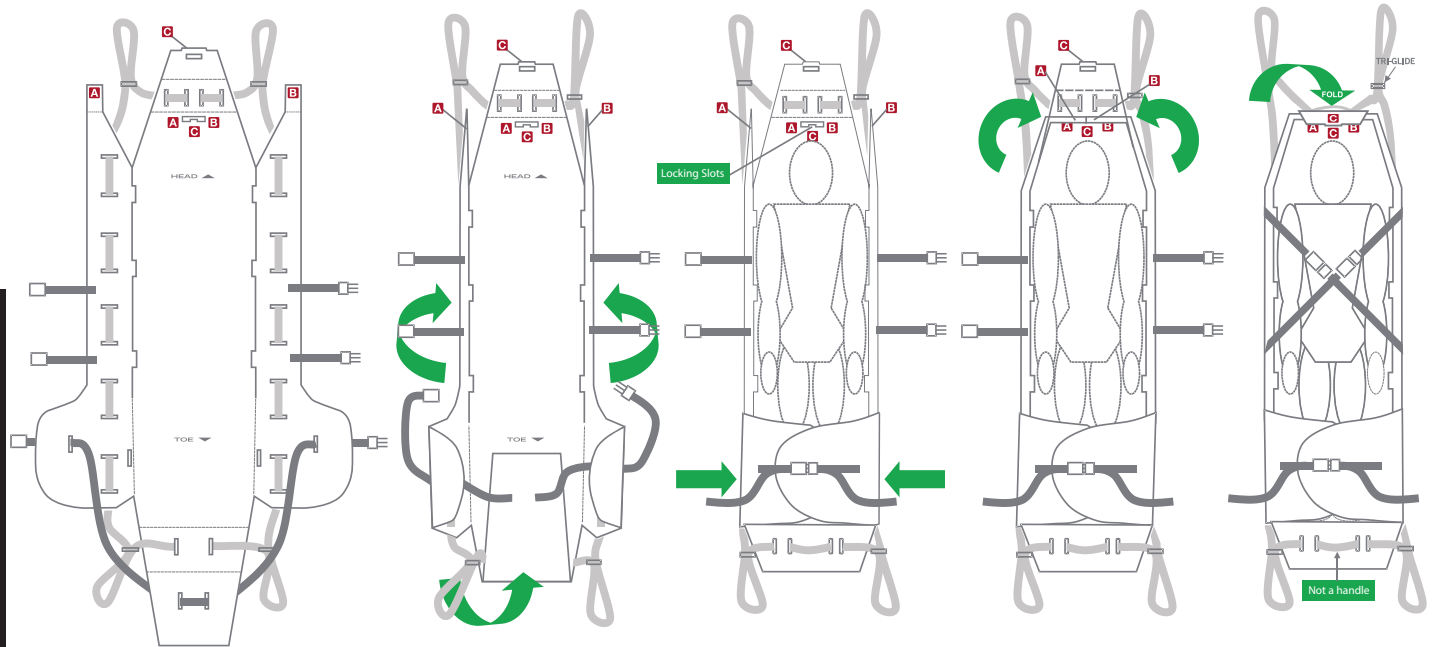
INSPECTION DU PRODUIT

La maintenance du traîneau Slyde incombe à son propriétaire. Il est fondamental que le traîneau Slyde fonctionne correctement avant que le produit ne soit mis en service. Il convient de désigner une personne qualifiée pour utiliser la liste ci-dessous et les instructions d'utilisation et vérifier le traîneau Slyde avant sa mise en service.

- Retirer l'emballage et vérifier tous les éléments nécessaires à un fonctionnement optimal.
- Examiner soigneusement le traîneau Slyde et ses accessoires dès réception pour s'assurer qu'ils n'ont pas été endommagés lors de l'expédition et qu'ils fonctionnent correctement.
- Vérifier l'absence d'usure, d'effilochage ou de tout autre dommage sur le traîneau Slyde et ses accessoires avant chaque utilisation.

INSTRUCTIONS DE MONTAGE

CA2654308 Ces instructions sont imprimées à l'intérieur de chaque traîneau Evacuation Slyde et de chaque traîneau Bariatric Evacuation Slyde. Voici une illustration d'un traîneau Bariatric Evacuation Slyde.



1. Placer le traîneau Evacuation Slyde sur le sol ou sur le plancher. Déclipez les sangles noires et dépliez Slyde comme indiqué.

2. Repliez les parois latérales de sorte qu'elles soient en position verticale, puis plier le panneau de pieds sur lui-même.

3. Fixez le panneau de pieds en repliant l'extension des parois latérales au niveau des pieds. Fixer l'ensemble en attachant la sangle et en la réglant de façon à ce qu'elle soit bien ajustée.

4. Fixez le panneau de tête en repliant les extensions des parois latérales l'une vers l'autre. Les languettes A et B doivent être alignées avec les fentes A et B et s'y insérer.

5. Fixez les extensions des parois latérales A et B, une fois celles-ci repliées et alignées, en repliant le rabat C sur elles. Verrouillez la languette C en la glissant dans la fente de verrouillage C. Attachez l'occupant et évacuez-le.

FRANÇAIS

**NE PEUT ÊTRE
UTILISÉ QUE PAR DES
PROFESSIONNELS FORMÉS**

CAPACITÉ DE POIDS

EVACUATION SLYDE - STANDARD (IC5010)



227 kg (500 lb)

EVACUATION SLYDE - BARIATRIC (IC5020)



363 kg (800 lb)

UTILISATION PRÉVUE: Le traîneau Slyde est un traîneau d'urgence destiné à évacuer en toute sécurité des résidents ou des patients [ci-après dénommés «occupant» ou «personne à évacuer»] non ambulatoires d'un bâtiment à plusieurs étages en utilisant l'escalier.

STOCKAGE: Stockez le traîneau Slyde dans un endroit sec et à l'abri de la lumière, entre 10 et 35°C (entre 50 et 95°F).



PRUDENCE: Une mauvaise utilisation du traîneau Evacuation Slyde ou de tout accessoire peut entraîner des blessures pour l'occupant ou l'opérateur. Veuillez utiliser le traîneau Evacuation Slyde et ses accessoires conformément à la procédure décrite dans ce manuel d'utilisation.

L'objet d'un ou plusieurs des brevets suivants: US 7,422,220 B2; US 7,699,324 B2; EP 2,057,057 B8; CA2654308C

TRANSPORTER UNE PERSONNE À L'AIDE DU TRAÎNEAU SLYDE

Ces instructions exposent les grandes lignes des techniques spécifiques nécessaires pour attacher et transporter en toute sécurité une personne à l'aide du traîneau Slyde.

⚠ AVERTISSEMENT

- Ne pas utiliser le traîneau Slyde, le système d'assurage pour cage d'escalier, le boîtier d'assurage pour cage d'escalier ni un autre accessoire sans formation adaptée.
- Ne pas dépasser la capacité de charge de 227 kg (500 lb) pour le traîneau Evacuation Slyde, ni celle de 363 kg (800 lb) pour le traîneau Bariatric Evacuation Slyde.
- Ne pas utiliser le traîneau Slyde en présence de fluides corporels. Vérifier l'absence de fluides sur le traîneau Slyde avant toute utilisation. Ne pas essayer de nettoyer ou de supprimer une partie de l'équipement si des fluides sont présents.
- Vérifier l'absence d'usure, d'effilochage ou de tout autre dommage sur le traîneau Slyde et le système d'assurage pour cage d'escalier au moins une fois par an et avant chaque utilisation. Si le dispositif ou certains équipements sont endommagés, ne l'utilisez pas.
- Le traîneau Slyde n'est pas conçu pour être utilisé en présence réelle ou suspectée de lésion cervicale, médullaire ou fracturaire, sauf s'il est utilisé avec les précautions cervicales et médullaires nécessaires, comme une planche dorsale, un collier cervical et un bandage de contention adapté.
- Pour réduire le risque de blessure pour l'occupant et/ou l'opérateur, les opérateurs ne doivent en aucun cas essayer de transporter une personne dont le poids est supérieur à ce qu'ils peuvent soulever en toute sécurité.
- De l'eau, de la glace ou des débris dans l'escalier peuvent nuire à la prise de pied de l'opérateur et au bon fonctionnement du traîneau Slyde. Pour réduire le risque de blessure, dégager le chemin ou envisager un autre itinéraire.
- Après l'évacuation, il convient de s'assurer que le patient repose de façon stable sur une surface plane.

NOTE (PERSONNE COUCHÉE)

- Si la personne à évacuer est couchée, placer le lit dans la position la plus basse et verrouiller les roues du lit si nécessaire.
- Utiliser les draps pour envelopper la personne des deux côtés. Prendre des oreillers ou des couvertures pour la tête et les pieds de la personne afin de lui offrir davantage de confort.

TRANSFÉRER LA PERSONNE À ÉVACUER SUR LE TRAÎNEAU SLYDE

1. Déplier le traîneau Slyde.
2. Placer la personne à évacuer sur le côté.
3. Placer le traîneau Slyde sous les fesses de la personne à évacuer.
4. Basculer la personne à évacuer sur le traîneau Slyde en prenant garde de la placer au milieu du traîneau.
5. Fixer les deux extrémités côté tête et côté pieds comme illustré. [Voir les instructions de montage à la page 5]
6. Attacher et serrer les sangles de sécurité.

⚠ AVERTISSEMENT

- Les sangles de sécurité doivent être attachées en diagonale, le cas échéant, afin d'éviter l'étranglement des personnes les plus petites [Légende 5 des instructions de montage].
- Utiliser systématiquement l'ensemble des sangles de retenue pour attacher la personne à évacuer sur le traîneau Slyde. Une personne non attachée peut tomber du traîneau Slyde et se blesser.
- La personne à évacuer doit être attachée sur le traîneau Slyde avant le transfert du traîneau Slyde du lit au sol.

NOTE (PERSONNE COUCHÉE)

- Tirer l'extrémité du matelas côté pieds vers le sol pour créer une rampe.
- Tout en gardant le dos dans une position neutre, ergonomique et droite, faire glisser le traîneau Slyde sur le matelas en direction du sol.
- Si le matelas est attaché au cadre du lit, utiliser les poignées latérales du dispositif pour aider l'occupant à se déplacer sur le sol en baissant d'abord l'extrémité côté pieds puis l'extrémité côté tête.

TIRER LE TRAÎNEAU SLYDE AVEC L'OCCUPANT VERS LA SORTIE DE SECOURS LA PLUS PROCHE

- Deux opérateurs peuvent tirer l'extrémité côté pieds à l'aide des deux poignées, comme indiqué [Fig. 1].



Figure 1

MANUAL DE INSTRUCCIONES

DESCENDRE UN ESCALIER À L'AIDE DU TRAÎNEAU EVACUATION SLYDE

AVERTISSEMENT

- Pour réduire le risque de blessure, le transport de l'occupant dans un escalier exige un minimum de deux opérateurs, l'un à la tête et l'autre au pied du traîneau Slyde. Si davantage de personnes sont nécessaires pour contrôler le traîneau Slyde en toute sécurité, positionner les opérateurs autour du traîneau Slyde à l'aide des poignées.
- Un minimum de deux opérateurs est nécessaire pour l'utilisation du système d'assurage pour cage d'escalier. Davantage d'opérateurs peuvent se révéler nécessaires en fonction de la taille de la personne à évacuer. Voir page 7 pour référence afin de positionner les opérateurs correctement.

DESCENTE À DEUX PERSONNES

1. L'opérateur situé en queue de traîneau et l'opérateur situé en tête de traîneau tiennent fermement les deux poignées.
2. L'opérateur situé en queue de traîneau tire le traîneau Slyde aux trois quarts en dehors de la première marche.
3. L'opérateur situé en tête de traîneau se penche en arrière pour soutenir le poids de l'occupant. Descendre l'escalier à une vitesse contrôlée. Rester orienté vers la rampe intérieure de l'escalier afin de permettre une manipulation plus facile sur la marche.
4. Commencer à tourner une fois que le traîneau Slyde est à moitié sur la marche. Prendre la hanche de l'occupant comme point de référence pour pivoter.
5. Répéter le processus pour les marches suivantes.

DESCENTE À TROIS PERSONNES:

1. De la même manière que pour la descente à deux personnes, sauf que les deux opérateurs situés en tête du traîneau tiennent chacun une poignée.

DESCENDRE UN ESCALIER À L'AIDE DU TRAÎNEAU BARIATRIC EVACUATION SLYDE

AVERTISSEMENT

- Le système d'assurage pour cage d'escalier doit être utilisé lors du transport de patients bariatriques 227 à 363 kg (500 à 800 lb).

Pour réduire le risque de blessure lors du transport de personnes bariatriques de 227 à 363 kg (500 à 800 lb), le respect scrupuleux de l'ensemble des précautions et procédures de sécurité s'impose. Pour un transport en toute sécurité, Belluscura recommande les équipements et configurations humaines suivantes.

AVERTISSEMENT

- Pour réduire le risque de blessure pour l'occupant ou l'opérateur, le nombre minimum d'opérateurs indiqué dans le tableau de la page 7 doit être respecté.
- Pour réduire le risque de blessure pour l'occupant et/ou l'opérateur, les opérateurs ne doivent en aucun cas essayer de transporter des occupants dont le poids est supérieur à ce qu'ils peuvent soulever en toute sécurité.

CONFIGURATION D'ASSURAGE DE L'OPÉRATEUR

AVERTISSEMENT

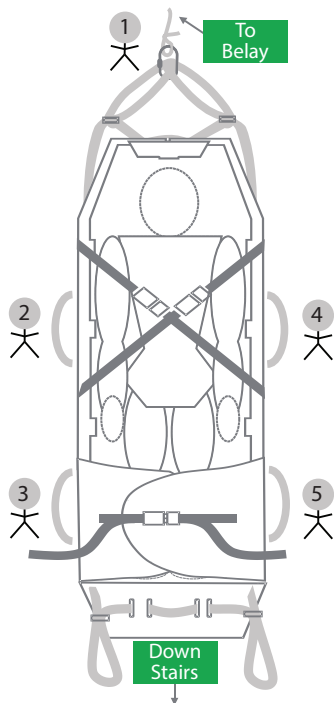
Consulter le tableau ci-dessous pour connaître le nombre minimum d'opérateurs correspondant au poids combiné de l'équipement et de la personne à évacuer.

Équipement et occupant poids total	Nombre minimum d'opérateurs
< 227 kg < 500 lb	2
227 - 272 kg (500 - 600 lb)	5
272 - 336 kg (600 - 800 lb)	7

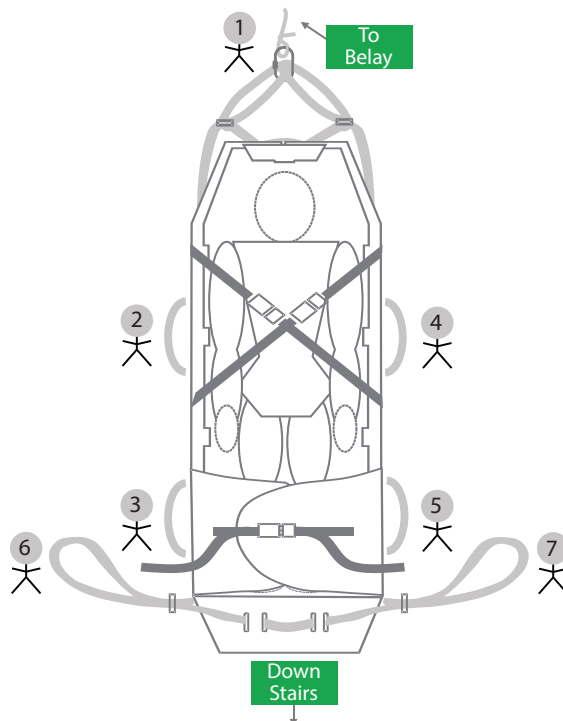
CONFIGURATION D'ASSURAGE DE L'OPÉRATEUR A CONTINUÉ

NOTE
Les chiffres situés autour du périmètre du traîneau Slyde Bariatrique indiquent le nombre d'opérateurs et les positions requises lors du transport d'occupants bariatriques.

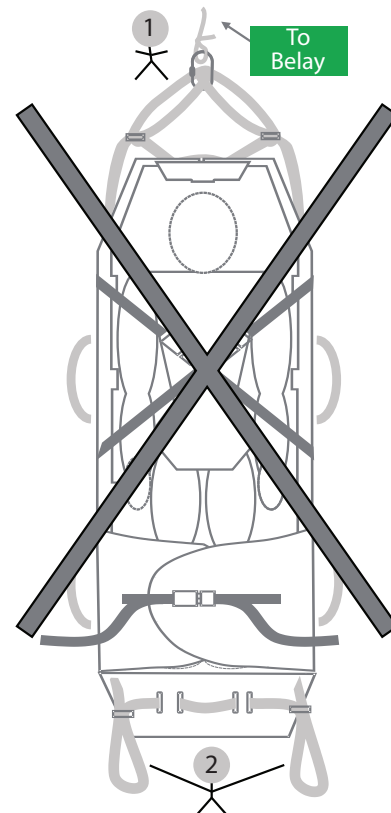
227-272 kg
(500-600 lb)



272-363 kg
(600-800 lb)



⚠ AVERTISSEMENT
Effectif insuffisant pour patients pesant de 227 à 363 kg (500 à 800 lb). Peut entraîner des blessures ou lamort pour l'occupant ou l'opérateur.



LISTE DES PIÈCES DE RECHANGE ET DES ACCESSOIRES

Nom de la pièce	Numéro de pièce
Gaine de protection du traîneau Evacuation Sleeve pour 5 Slyde® - Standard	IC5011
Gaine de protection du traîneau Evacuation Sleeve pour 5 Slyde® - Bariatrique	IC5021
Slyde® Système d'assurage pour cage d'escalier	IC5030
Slyde® Boîte de rangement d'escalier Belay	IC5031

NOUS CONTACTER POUR DES PIÈCES OU UNE ASSISTANCE TECHNIQUE
800-355-4628 | info@dqeready.com

FRANÇAIS